

L-SHAPED FOLD (LEFT) MITER FOLDING ORDER FORM

Lovech Ltd.

PLEASE SUBMIT YOUR ORDER BY EMAIL AT ORDER@LOVECH.CA
FOR QUESTIONS PLEASE CONTACT: TEL. (647) 427-4272

MDF DOORS & CUSTOM PRODUCTS
351 SPINNAKER WAY, UNIT 1
CONCORD, ON. L4K 4N4

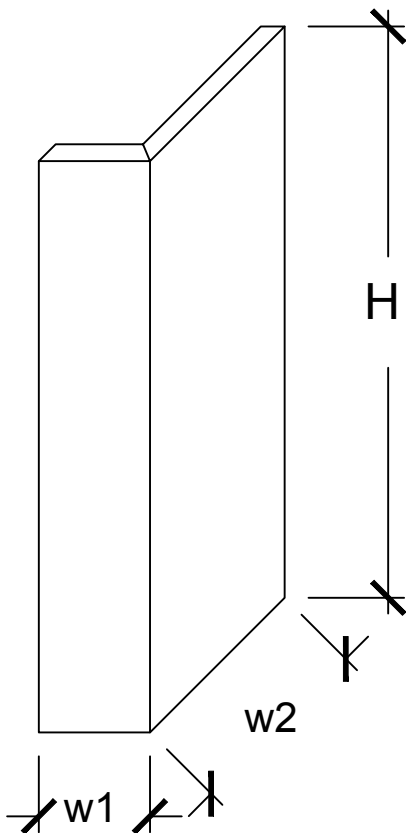
COMPANY: _____
ADDRESS: _____

CONTACT: _____

PO #/ JOB: _____
DATE: _____
TEL: _____
FAX: _____
EMAIL: _____

MDF SLAB PRODUCTS INFO:			
THICKNESS:	<input type="checkbox"/> 3/4"	<input type="checkbox"/> 7/8"	CUSTOM* <input type="text"/>
MDF BACKING:	RAW: <input type="checkbox"/>	WHITE: <input type="checkbox"/>	

OR		SLAB PRODUCT INFO:	
MATERIAL NAME:	_____		
MATERIAL TYPE:	_____ (EX. MELAMINE, PET, ACRYLIC ETC.)		
1GS: <input type="checkbox"/>	2GS: <input type="checkbox"/>	VERT. GRAIN: <input type="checkbox"/>	HOR. GRAIN: <input type="checkbox"/>



SELECT A UNIT SYSTEM:

IMPERIAL (INCHES) METRIC (MM)

QUANTITY: _____

W1 DIMENSION: _____

W2 DIMENSION: _____

H DIMENSION: _____

FINISHED EDGE REQ'D: YES NO

INCLUDE ASSEMBLY: YES NO

***IF YOU REQUIRE ANY EDGE TO BE FINISHED
BY SANDING OR MATCHING EDGETAPE,
PLEASE INDICATE BY MARKING THE EDGE ***

PLEASE ATTACH TO CORRESPONDING DOORS & DRAWERS ORDER FORM(S) IF APPLICABLE

L-SHAPED FOLD (RIGHT) MITER FOLDING ORDER FORM

Lovech Ltd.

PLEASE SUBMIT YOUR ORDER BY EMAIL AT ORDER@LOVECH.CA
FOR QUESTIONS PLEASE CONTACT: TEL. (647) 427-4272

MDF DOORS & CUSTOM PRODUCTS
351 SPINNAKER WAY, UNIT 1
CONCORD, ON. L4K 4N4

COMPANY: _____
ADDRESS: _____

CONTACT: _____

PO #/ JOB: _____
DATE: _____
TEL: _____
FAX: _____
EMAIL: _____

MDF SLAB PRODUCTS INFO:			
THICKNESS:	3/4" <input type="checkbox"/>	7/8"* <input type="checkbox"/>	CUSTOM* <input type="text"/>
MDF BACKING:	RAW: <input type="checkbox"/>	WHITE: <input type="checkbox"/>	

OR		SLAB PRODUCT INFO:	
MATERIAL NAME:	_____		
MATERIAL TYPE:	_____ (EX. MELAMINE, PET, ACRYLIC ETC.)		
1GS: <input type="checkbox"/>	2GS: <input type="checkbox"/>	VERT. GRAIN: <input type="checkbox"/>	HOR. GRAIN: <input type="checkbox"/>

SELECT A UNIT SYSTEM:

IMPERIAL (INCHES) METRIC (MM)

QUANTITY: _____

W1 DIMENSION: _____

W2 DIMENSION: _____

H DIMENSION: _____

FINISHED EDGE REQ'D: YES NO

INCLUDE ASSEMBLY: YES NO

*****IF YOU REQUIRE ANY EDGE TO BE FINISHED BY SANDING OR MATCHING EDGETAPE, PLEASE INDICATE BY MARKING THE EDGE *****

PLEASE ATTACH TO CORRESPONDING DOORS & DRAWERS ORDER FORM(S) IF APPLICABLE

U or J-SHAPED FOLD MITER FOLDING ORDER FORM

Lovech Ltd.

PLEASE SUBMIT YOUR ORDER BY EMAIL AT ORDER@LOVECH.CA
FOR QUESTIONS PLEASE CONTACT: TEL. (647) 427-4272

MDF DOORS & CUSTOM PRODUCTS
351 SPINNAKER WAY, UNIT 1
CONCORD, ON. L4K 4N4

COMPANY: _____
ADDRESS: _____

CONTACT: _____

PO #/ JOB: _____
DATE: _____
TEL: _____
FAX: _____
EMAIL: _____

MDF SLAB PRODUCTS INFO:			
THICKNESS:	3/4" <input type="checkbox"/>	7/8"* <input type="checkbox"/>	CUSTOM* <input type="text"/>
MDF BACKING:	RAW: <input type="checkbox"/>	WHITE: <input type="checkbox"/>	

SLAB PRODUCT INFO:			
MATERIAL NAME: _____			
MATERIAL TYPE: _____ (EX. MELAMINE, PET, ACRYLIC ETC.)			
1GS: <input type="checkbox"/>	2GS: <input type="checkbox"/>	VERT. GRAIN: <input type="checkbox"/>	HOR. GRAIN: <input type="checkbox"/>

SELECT A UNIT SYSTEM:

IMPERIAL (INCHES) METRIC (MM)

QUANTITY: _____

W1 DIMENSION: _____

W2 DIMENSION: _____

W3 DIMENSION: _____

H DIMENSION: _____

FINISHED EDGE REQ'D: YES NO

INCLUDE ASSEMBLY: YES NO

*****IF YOU REQUIRE ANY EDGE TO BE FINISHED BY SANDING OR MATCHING EDGETAPE, PLEASE INDICATE BY MARKING THE EDGE *****

PLEASE ATTACH TO CORRESPONDING DOORS & DRAWERS ORDER FORM(S) IF APPLICABLE

C-SHAPED FOLD MITER FOLDING ORDER FORM

Lovech Ltd.

PLEASE SUBMIT YOUR ORDER BY EMAIL AT ORDER@LOVECH.CA
FOR QUESTIONS PLEASE CONTACT: TEL. (647) 427-4272

MDF DOORS & CUSTOM PRODUCTS
351 SPINNAKER WAY, UNIT 1
CONCORD, ON. L4K 4N4

COMPANY: _____
ADDRESS: _____

CONTACT: _____

PO #/ JOB: _____
DATE: _____
TEL: _____
FAX: _____
EMAIL: _____

MDF SLAB PRODUCTS INFO:

THICKNESS: 3/4" 7/8"* CUSTOM*

MDF BACKING: RAW: WHITE:

OR SLAB PRODUCT INFO:

MATERIAL NAME: _____

MATERIAL TYPE: _____ (EX. MELAMINE, PET, ACRYLIC ETC.)

1GS: 2GS: VERT. GRAIN: HOR. GRAIN:

SELECT A UNIT SYSTEM:

IMPERIAL (INCHES) METRIC (MM)

QUANTITY: _____

W1 DIMENSION: _____

W2 DIMENSION: _____

W3 DIMENSION: _____

W4 DIMENSION: _____

W5 DIMENSION: _____

H DIMENSION: _____

FINISHED EDGE REQ'D: YES NO

INCLUDE ASSEMBLY: YES NO

*****IF YOU REQUIRE ANY EDGE TO BE FINISHED BY SANDING OR MATCHING EDGETAPE, PLEASE INDICATE BY MARKING THE EDGE *****

PLEASE ATTACH TO CORRESPONDING DOORS & DRAWERS ORDER FORM(S) IF APPLICABLE

POST SHAPED FOLD MITER FOLDING ORDER FORM

Lovech Ltd.

PLEASE SUBMIT YOUR ORDER BY EMAIL AT ORDER@LOVECH.CA
FOR QUESTIONS PLEASE CONTACT: TEL. (647) 427-4272

MDF DOORS & CUSTOM PRODUCTS
351 SPINNAKER WAY, UNIT 1
CONCORD, ON. L4K 4N4

COMPANY: _____
ADDRESS: _____

CONTACT: _____

PO #/ JOB: _____
DATE: _____
TEL: _____
FAX: _____
EMAIL: _____

MDF SLAB PRODUCTS INFO:			
THICKNESS:	3/4" <input type="checkbox"/>	7/8"* <input type="checkbox"/>	CUSTOM* <input type="text"/>
MDF BACKING:	RAW: <input type="checkbox"/>	WHITE: <input type="checkbox"/>	

OR		SLAB PRODUCT INFO:	
MATERIAL NAME:	_____		
MATERIAL TYPE:	_____ (EX. MELAMINE, PET, ACRYLIC ETC.)		
1GS: <input type="checkbox"/>	2GS: <input type="checkbox"/>	VERT. GRAIN: <input type="checkbox"/>	HOR. GRAIN: <input type="checkbox"/>

SELECT A UNIT SYSTEM:

IMPERIAL (INCHES) METRIC (MM)

QUANTITY: _____

W1 DIMENSION: _____

W2 DIMENSION: _____

W3 DIMENSION: _____

W4 DIMENSION: _____

H DIMENSION: _____

FINISHED EDGE REQ'D: YES NO

INCLUDE ASSEMBLY: YES NO

*****IF YOU REQUIRE ANY EDGE TO BE FINISHED BY SANDING OR MATCHING EDGETAPE, PLEASE INDICATE BY MARKING THE EDGE *****

PLEASE ATTACH TO CORRESPONDING DOORS & DRAWERS ORDER FORM(S) IF APPLICABLE

SHELF FOLD (FINISHED FRONT) MITER FOLDING ORDER FORM

Lovech Ltd.

PLEASE SUBMIT YOUR ORDER BY EMAIL AT ORDER@LOVECH.CA
FOR QUESTIONS PLEASE CONTACT: TEL. (647) 427-4272

MDF DOORS & CUSTOM PRODUCTS
351 SPINNAKER WAY, UNIT 1
CONCORD, ON. L4K 4N4

COMPANY: _____
ADDRESS: _____

CONTACT: _____

PO #/ JOB: _____
DATE: _____
TEL: _____
FAX: _____
EMAIL: _____

MDF SLAB PRODUCTS INFO:

THICKNESS: 3/4" 7/8"* CUSTOM*

MDF BACKING: RAW: WHITE:

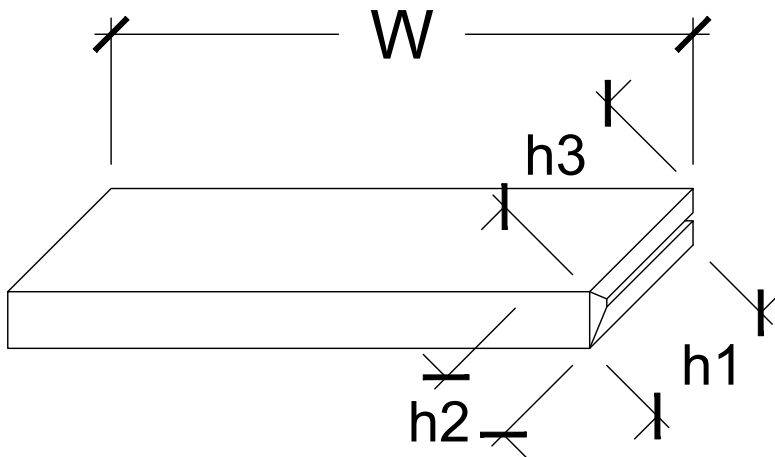
OR SLAB PRODUCT INFO:

MATERIAL NAME: _____

MATERIAL TYPE: _____ (EX. MELAMINE, PET, ACRYLIC ETC.)

1GS: 2GS: VERT. GRAIN: HOR. GRAIN:

NOTE: THIS SHELF OPTION ONLY INCLUDES A FINISHED FRONT EDGE. THE BACK AND BOTH SIDES ARE OPEN. SEE ALL OTHER SHELF OPTIONS.



***IF YOU REQUIRE ANY EDGE TO BE FINISHED BY SANDING OR MATCHING E
DGETAPE, PLEASE INDICATE BY MARKING THE EDGE ***

SELECT A UNIT SYSTEM:

IMPERIAL (INCHES) METRIC (MM)

QUANTITY: _____

FINISHED EDGE REQ'D: YES NO

h1 DIMENSION: _____

INCLUDE ASSEMBLY: YES NO

h2 DIMENSION: _____

h3 DIMENSION: _____

W DIMENSION: _____

PLEASE ATTACH TO CORRESPONDING DOORS & DRAWERS ORDER FORM(S) IF APPLICABLE

SHELF FOLD (FINISHED FRONT & RIGHT SIDE) MITER FOLDING ORDER FORM

Lovech Ltd.

PLEASE SUBMIT YOUR ORDER BY EMAIL AT ORDER@LOVECH.CA
FOR QUESTIONS PLEASE CONTACT: TEL. (647) 427-4272

MDF DOORS & CUSTOM PRODUCTS
351 SPINNAKER WAY, UNIT 1
CONCORD, ON. L4K 4N4

COMPANY: _____
ADDRESS: _____

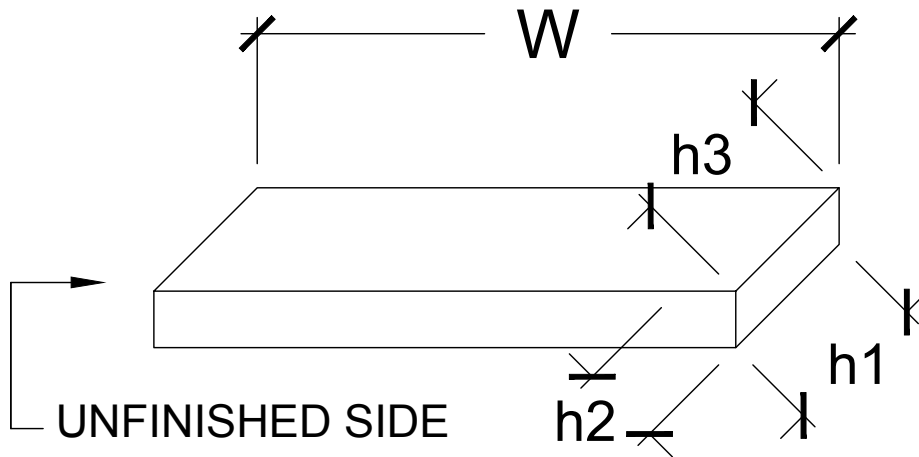
CONTACT: _____

PO #/ JOB: _____
DATE: _____
TEL: _____
FAX: _____
EMAIL: _____

MDF SLAB PRODUCTS INFO:			
THICKNESS:	3/4" <input type="checkbox"/>	7/8"* <input type="checkbox"/>	CUSTOM* <input type="text"/>
MDF BACKING:	RAW: <input type="checkbox"/>	WHITE: <input type="checkbox"/>	

OR		SLAB PRODUCT INFO:	
MATERIAL NAME:	_____		
MATERIAL TYPE:	_____ (EX. MELAMINE, PET, ACRYLIC ETC.)		
1GS: <input type="checkbox"/>	2GS: <input type="checkbox"/>	VERT. GRAIN: <input type="checkbox"/>	HOR. GRAIN: <input type="checkbox"/>

NOTE: THIS SHELF INCLUDES A FINISHED FRONT & RIGHT SIDE EDGE. THE BACK AND LEFT SIDE ARE OPEN. SEE ALL OTHER SHELF OPTIONS.



***IF YOU REQUIRE ANY EDGE TO BE FINISHED BY SANDING OR MATCHING E
DGETAPE, PLEASE INDICATE BY MARKING THE EDGE ***

SELECT A UNIT SYSTEM:

IMPERIAL (INCHES) METRIC (MM)

QUANTITY: _____

FINISHED EDGE REQ'D: YES NO

h1 DIMENSION: _____

INCLUDE ASSEMBLY: YES NO

h2 DIMENSION: _____

h3 DIMENSION: _____

W DIMENSION: _____

PLEASE ATTACH TO CORRESPONDING DOORS & DRAWERS ORDER FORM(S) IF APPLICABLE

SHELF FOLD (FINISHED FRONT & LEFT SIDE) MITER FOLDING ORDER FORM

Lovech Ltd.

PLEASE SUBMIT YOUR ORDER BY EMAIL AT ORDER@LOVECH.CA
FOR QUESTIONS PLEASE CONTACT: TEL. (647) 427-4272

MDF DOORS & CUSTOM PRODUCTS
351 SPINNAKER WAY, UNIT 1
CONCORD, ON. L4K 4N4

COMPANY: _____
ADDRESS: _____

CONTACT: _____

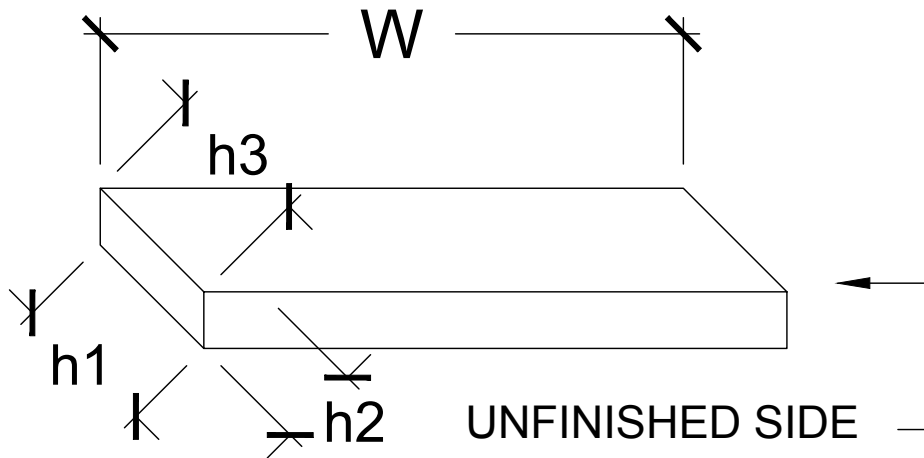
PO #/ JOB: _____
DATE: _____
TEL: _____
FAX: _____
EMAIL: _____

MDF SLAB PRODUCTS INFO:			
THICKNESS:	3/4" <input type="checkbox"/>	7/8"* <input type="checkbox"/>	CUSTOM* <input type="text"/>
MDF BACKING:	RAW: <input type="checkbox"/>	WHITE: <input type="checkbox"/>	

SLAB PRODUCT INFO:			
MATERIAL NAME: _____			
MATERIAL TYPE: _____ (EX. MELAMINE, PET, ACRYLIC ETC.)			
1GS: <input type="checkbox"/>	2GS: <input type="checkbox"/>	VERT. GRAIN: <input type="checkbox"/>	HOR. GRAIN: <input type="checkbox"/>

NOTE:

THIS SHELF OPTION INCLUDES A FINISHED FRONT & LEFT EDGE. THE BACK AND RIGHT SIDE ARE OPEN. SEE ALL OTHER SHELF OPTIONS.



***IF YOU REQUIRE ANY EDGE TO BE FINISHED BY SANDING OR MATCHING E
DGETAPE, PLEASE INDICATE BY MARKING THE EDGE ***

SELECT A UNIT SYSTEM:

IMPERIAL (INCHES) METRIC (MM)

QUANTITY: _____

FINISHED EDGE REQ'D: YES NO

h1 DIMENSION: _____

INCLUDE ASSEMBLY: YES NO

h2 DIMENSION: _____

h3 DIMENSION: _____

W DIMENSION: _____

PLEASE ATTACH TO CORRESPONDING DOORS & DRAWERS ORDER FORM(S) IF APPLICABLE

SHELF FOLD (FINISHED FRONT & BOTH SIDES) MITER FOLDING ORDER FORM

Lovech Ltd.

PLEASE SUBMIT YOUR ORDER BY EMAIL AT ORDER@LOVECH.CA
FOR QUESTIONS PLEASE CONTACT: TEL. (647) 427-4272

MDF DOORS & CUSTOM PRODUCTS
351 SPINNAKER WAY, UNIT 1
CONCORD, ON. L4K 4N4

COMPANY: _____
ADDRESS: _____

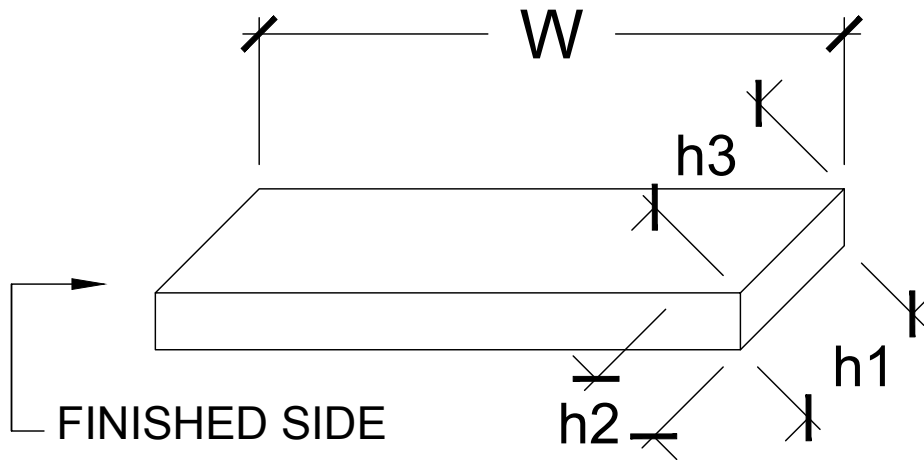
CONTACT: _____

PO #/ JOB: _____
DATE: _____
TEL: _____
FAX: _____
EMAIL: _____

MDF SLAB PRODUCTS INFO:			
THICKNESS:	3/4" <input type="checkbox"/>	7/8"* <input type="checkbox"/>	CUSTOM* <input type="text"/>
MDF BACKING:	RAW: <input type="checkbox"/>	WHITE: <input type="checkbox"/>	

OR		SLAB PRODUCT INFO:	
MATERIAL NAME:	_____		
MATERIAL TYPE:	_____ (EX. MELAMINE, PET, ACRYLIC ETC.)		
1GS: <input type="checkbox"/>	2GS: <input type="checkbox"/>	VERT. GRAIN: <input type="checkbox"/>	HOR. GRAIN: <input type="checkbox"/>

NOTE: THIS SHELF INCLUDES A FINISHED FRONT AS WELL AS BOTH LEFT & RIGHT SIDE EDGES . THE BACK IS OPEN. SEE ALL OTHER SHELF OPTIONS.



***IF YOU REQUIRE ANY EDGE TO BE FINISHED BY SANDING OR MATCHING E
DGETAPE, PLEASE INDICATE BY MARKING THE EDGE ***

SELECT A UNIT SYSTEM:

IMPERIAL (INCHES) METRIC (MM)

QUANTITY: _____

FINISHED EDGE REQ'D: YES NO

h1 DIMENSION: _____

INCLUDE ASSEMBLY: YES NO

h2 DIMENSION: _____

h3 DIMENSION: _____

W DIMENSION: _____

PLEASE ATTACH TO CORRESPONDING DOORS & DRAWERS ORDER FORM(S) IF APPLICABLE

BOX FOLD (ALL SIDES FINISHED) MITER FOLDING ORDER FORM

Lovech Ltd.

PLEASE SUBMIT YOUR ORDER BY EMAIL AT ORDER@LOVECH.CA
FOR QUESTIONS PLEASE CONTACT: TEL. (647) 427-4272

MDF DOORS & CUSTOM PRODUCTS
351 SPINNAKER WAY, UNIT 1
CONCORD, ON. L4K 4N4

COMPANY: _____
ADDRESS: _____

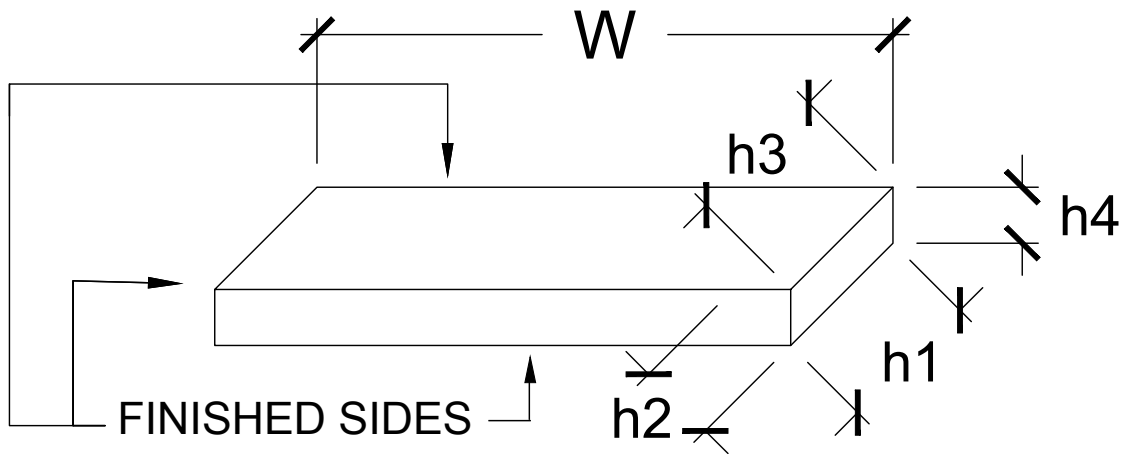
CONTACT: _____

PO #/ JOB: _____
DATE: _____
TEL: _____
FAX: _____
EMAIL: _____

MDF SLAB PRODUCTS INFO:			
THICKNESS:	3/4" <input type="checkbox"/>	7/8"* <input type="checkbox"/>	CUSTOM* <input type="text"/>
MDF BACKING:	RAW: <input type="checkbox"/>	WHITE: <input type="checkbox"/>	

OR		SLAB PRODUCT INFO:	
MATERIAL NAME:	_____		
MATERIAL TYPE:	_____ (EX. MELAMINE, PET, ACRYLIC ETC.)		
1GS: <input type="checkbox"/>	2GS: <input type="checkbox"/>	VERT. GRAIN: <input type="checkbox"/>	HOR. GRAIN: <input type="checkbox"/>

NOTE: THIS BOX OR SHELF OPTION INCLUDES ALL FINISHED SIDES. IT IS AN ENCLOSED BOX. PLEASE SEE ALL OTHER SHELF OPTIONS.



QUANTITY: _____

SELECT A UNIT SYSTEM:

IMPERIAL (INCHES) METRIC (MM)

FINISHED EDGE REQ'D: YES NO

INCLUDE ASSEMBLY: YES NO

h1 DIMENSION: _____

h2 DIMENSION: _____

h3 DIMENSION: _____

h4 DIMENSION: _____

W DIMENSION: _____

PLEASE ATTACH TO CORRESPONDING DOORS & DRAWERS ORDER FORM(S) IF APPLICABLE

TOP VALANCE (LEFT RETURN) MITER FOLDING ORDER FORM

Lovech Ltd.

PLEASE SUBMIT YOUR ORDER BY EMAIL AT ORDER@LOVECH.CA
FOR QUESTIONS PLEASE CONTACT: TEL. (647) 427-4272

MDF DOORS & CUSTOM PRODUCTS
351 SPINNAKER WAY, UNIT 1
CONCORD, ON. L4K 4N4

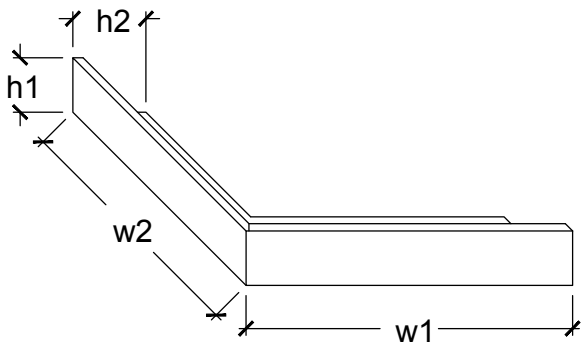
COMPANY: _____
ADDRESS: _____

CONTACT: _____

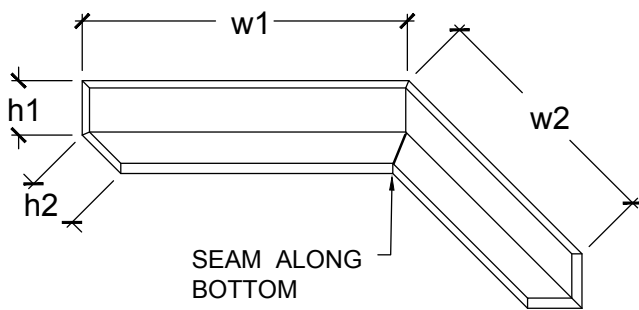
PO #/ JOB: _____
DATE: _____
TEL: _____
FAX: _____
EMAIL: _____

MDF SLAB PRODUCTS INFO:			
THICKNESS:	3/4" <input type="checkbox"/>	7/8"* <input type="checkbox"/>	CUSTOM* <input type="text"/>
MDF BACKING:	RAW: <input type="checkbox"/>	WHITE: <input type="checkbox"/>	

OR		SLAB PRODUCT INFO:	
MATERIAL NAME:	_____		
MATERIAL TYPE:	_____ (EX. MELAMINE, PET, ACRYLIC ETC.)		
1GS: <input type="checkbox"/>	2GS: <input type="checkbox"/>	VERT. GRAIN: <input type="checkbox"/>	HOR. GRAIN: <input type="checkbox"/>



(VIEW FROM FRONT)



(VIEW FROM BACK)

SELECT A UNIT SYSTEM:

IMPERIAL (INCHES) METRIC (MM)

QUANTITY: _____

W1 DIMENSION: _____

W2 DIMENSION: _____

h1 DIMENSION: _____

h2 DIMENSION: _____

FINISHED EDGE REQ'D: YES NO

INCLUDE ASSEMBLY: YES NO

*****IF YOU REQUIRE ANY EDGE TO BE FINISHED BY SANDING OR MATCHING EDGETAPE, PLEASE INDICATE BY MARKING THE EDGE *****

PLEASE ATTACH TO CORRESPONDING DOORS & DRAWERS ORDER FORM(S) IF APPLICABLE

TOP VALANCE (RIGHT RETURN) MITER FOLDING ORDER FORM

Lovech Ltd.

PLEASE SUBMIT YOUR ORDER BY EMAIL AT ORDER@LOVECH.CA
FOR QUESTIONS PLEASE CONTACT: TEL. (647) 427-4272

MDF DOORS & CUSTOM PRODUCTS
351 SPINNAKER WAY, UNIT 1
CONCORD, ON. L4K 4N4

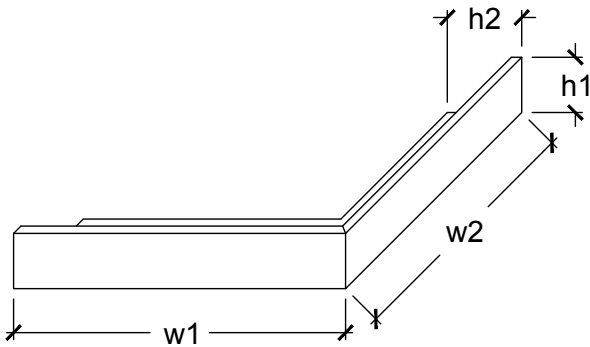
COMPANY: _____
ADDRESS: _____

CONTACT: _____

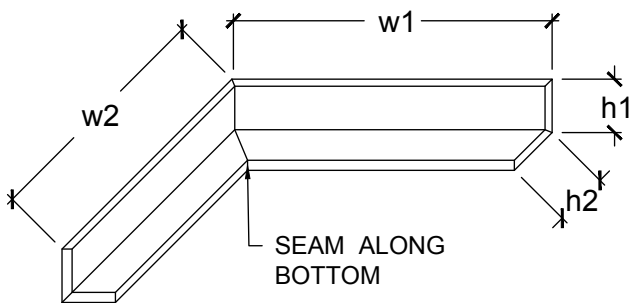
PO #/ JOB: _____
DATE: _____
TEL: _____
FAX: _____
EMAIL: _____

MDF SLAB PRODUCTS INFO:			
THICKNESS:	3/4" <input type="checkbox"/>	7/8"* <input type="checkbox"/>	CUSTOM* <input type="text"/>
MDF BACKING:	RAW: <input type="checkbox"/>	WHITE: <input type="checkbox"/>	

OR SLAB PRODUCT INFO:			
MATERIAL NAME:	_____		
MATERIAL TYPE:	_____ (EX. MELAMINE, PET, ACRYLIC ETC.)		
1GS: <input type="checkbox"/>	2GS: <input type="checkbox"/>	VERT. GRAIN: <input type="checkbox"/>	HOR. GRAIN: <input type="checkbox"/>



(VIEW FROM FRONT)



(VIEW FROM BACK)

SELECT A UNIT SYSTEM:

IMPERIAL (INCHES) METRIC (MM)

QUANTITY: _____

W1 DIMENSION: _____

W2 DIMENSION: _____

h1 DIMENSION: _____

h2 DIMENSION: _____

FINISHED EDGE REQ'D: YES NO

INCLUDE ASSEMBLY: YES NO

*****IF YOU REQUIRE ANY EDGE TO BE FINISHED BY SANDING OR MATCHING EDGETAPE, PLEASE INDICATE BY MARKING THE EDGE *****

PLEASE ATTACH TO CORRESPONDING DOORS & DRAWERS ORDER FORM(S) IF APPLICABLE

TOP VALANCE (U-SHAPE) MITER FOLDING ORDER FORM

Lovech Ltd.

PLEASE SUBMIT YOUR ORDER BY EMAIL AT ORDER@LOVECH.CA
FOR QUESTIONS PLEASE CONTACT: TEL. (647) 427-4272

MDF DOORS & CUSTOM PRODUCTS
351 SPINNAKER WAY, UNIT 1
CONCORD, ON. L4K 4N4

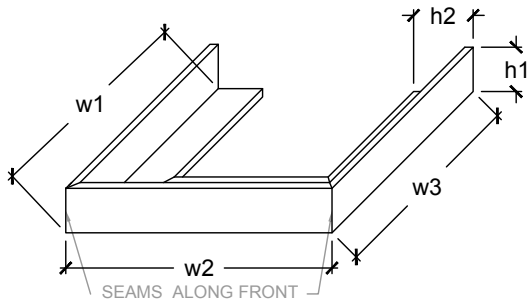
COMPANY: _____
ADDRESS: _____

CONTACT: _____

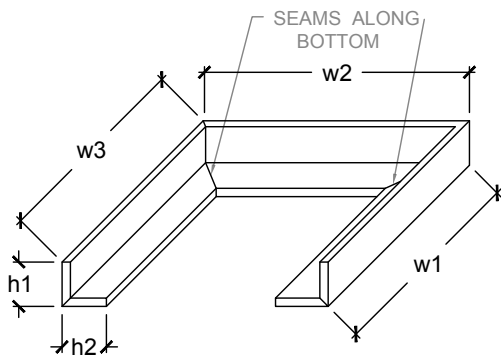
PO #/ JOB: _____
DATE: _____
TEL: _____
FAX: _____
EMAIL: _____

MDF SLAB PRODUCTS INFO:			
THICKNESS:	3/4" <input type="checkbox"/>	7/8"* <input type="checkbox"/>	CUSTOM* <input type="text"/>
MDF BACKING:	RAW: <input type="checkbox"/>	WHITE: <input type="checkbox"/>	

OR		SLAB PRODUCT INFO:	
MATERIAL NAME:	_____		
MATERIAL TYPE:	_____ (EX. MELAMINE, PET, ACRYLIC ETC.)		
1GS: <input type="checkbox"/>	2GS: <input type="checkbox"/>	VERT. GRAIN: <input type="checkbox"/>	HOR. GRAIN: <input type="checkbox"/>



(VIEW FROM FRONT)



(VIEW FROM BACK)

SELECT A UNIT SYSTEM:

IMPERIAL (INCHES) METRIC (MM)

QUANTITY: _____

W1 DIMENSION: _____

W2 DIMENSION: _____

W3 DIMENSION: _____

H1 DIMENSION: _____

H2 DIMENSION: _____

FINISHED EDGE REQ'D: YES NO

INCLUDE ASSEMBLY: YES NO

*****IF YOU REQUIRE ANY EDGE TO BE FINISHED BY SANDING OR MATCHING EDGETAPE, PLEASE INDICATE BY MARKING THE EDGE *****

PLEASE ATTACH TO CORRESPONDING DOORS & DRAWERS ORDER FORM(S) IF APPLICABLE